

## Engineering Bulletin

OCTOBER 2006

### ACL RACE SERIES HOLDEN 3.8L V6 ENGINE BEARINGS 4SM2222H – Universal Set

This bulletin outlines the ACL Race Series Engine Bearing Part Numbers which are suitable for Holden 3.8L V6 Performance Engines and documents the components required for the Main Bearing Set (4SM2222H) as per the vehicle models listed below.

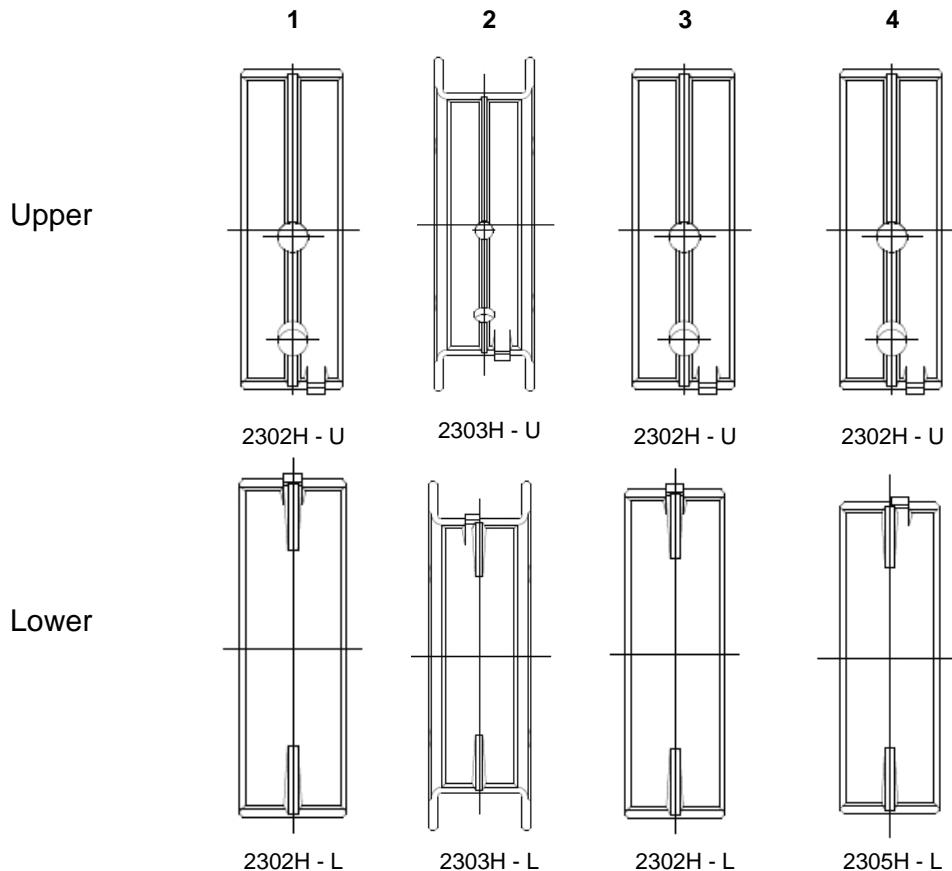
The 4SM2222H Main Bearing Set is a Universal Set suitable for all vehicle models from 11/1990 onwards and contains additional components, some of which are not required depending on the vehicle you are fitting them to. Please refer to the table and diagrams below to determine which components are required and those which can be discarded.

HOLDEN 3.8L V6 ENGINE (Commodore model applications)	Main Bearing Part Number	Con Rod Bearing Part Number	Available Sizes	Components Required	Components NOT required
VN Series I/II Commodore 11/1990 – 08/1991 VP Commodore 08/1991 - 01/1994	4SM2222H 4SM2222HX	6B2306H 6B2306HX	STD, 001, 010, 020	3 x 2302H - U 2 x 2302H - L 1 x 2305H - L	1 x 2303H - U 1 x 2303H - L 1 x 2299H - L 1 x 2309H - L
VR Commodore 02/1994 – 04/1995	4SM2222H 4SM2222HX	6B2306H 6B2306HX	STD, 001, 010, 020	3 x 2302H - U 2 x 2302H - L 1 x 2309H - L	1 x 2303H - U 1 x 2303H - L 1 x 2299H - L 1 x 2305H - L
VS, VT, VX, VY Commodore 05/1995 – 07/2004 Includes Supercharged Engines	4SM2222H 4SM2222HX	6B2306H 6B2306HX	STD, 001, 010, 020	3 x 2302H - U 1 x 2302H - L 1 x 2309H - L	1 x 2303H - U 1 x 2303H - L 1 x 2299H - L 1 x 2302H - L 1 x 2305H - L

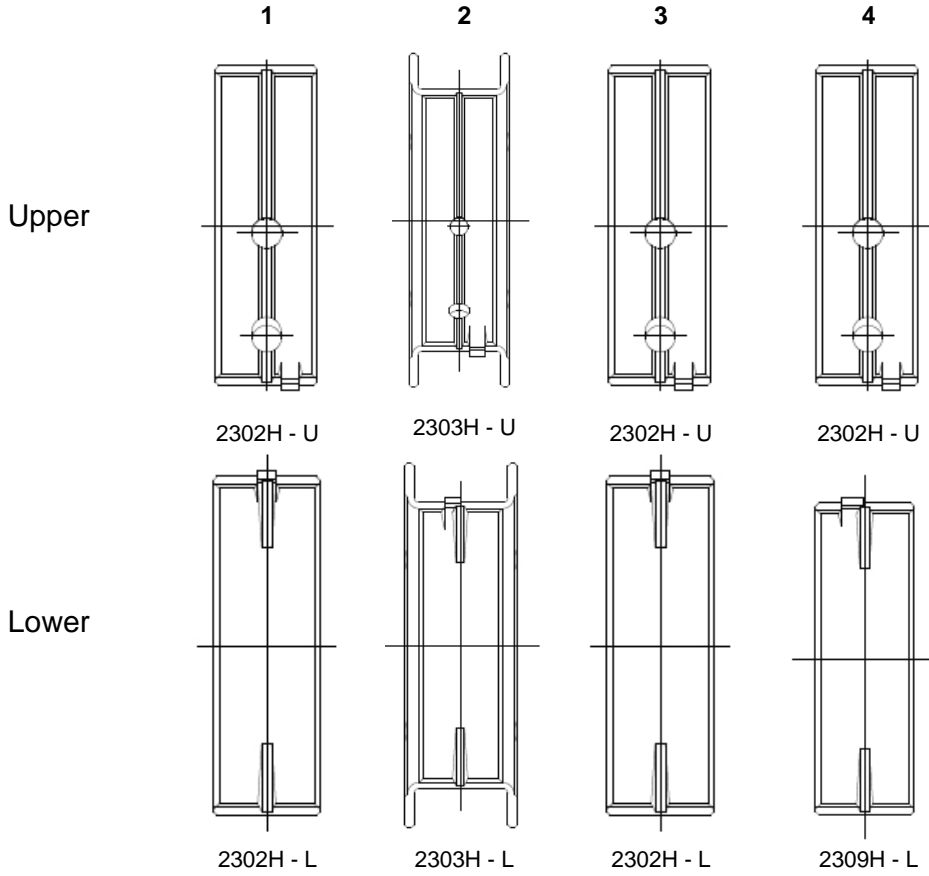
Part Numbers which contain an H suffix have a Standard Oil Clearance  
Part Numbers which contain an HX suffix have an additional +0.001" extra oil clearance

#### VN Commodore 11/1990 – 08/1991

#### VP Commodore 08/1991 – 01/1994



**VR Commodore 02/1994 – 04/1995**



**VS, VT, VX, VY Commodore 05/1995 – 07/2004 (includes Supercharged engines)**

